



US00D587731S

(12) **United States Design Patent**  
**Niedermeyer**

(10) **Patent No.:** **US D587,731 S**  
(45) **Date of Patent:** **\*\* Mar. 3, 2009**

(54) **LINEAR SLIDE EXTRUSION**

(75) Inventor: **John F. Niedermeyer**, Woodbury, CT  
(US)

(73) Assignee: **Tritex Corporation**, Waterbury, CT  
(US)

(\*\*) Term: **14 Years**

(21) Appl. No.: **29/292,939**

(22) Filed: **Nov. 2, 2007**

**Related U.S. Application Data**

(63) Continuation-in-part of application No. 29/271,851,  
filed on Jan. 29, 2007.

(51) **LOC (9) Cl.** ..... **15-09**

(52) **U.S. Cl.** ..... **D15/136; D25/124**

(58) **Field of Classification Search** ..... D13/158,  
D13/162, 184; D15/1-5, 7, 9, 143, 148,  
D15/149, 199, 135, 136; D23/233, 235,  
D23/249, 267; D25/60, 61, 119, 120, 124;  
29/56; 52/2.11, 2.16, 2.18, 649.2, 650.01,  
52/650.1, 650.2, 651.07; 60/412; 74/89.15,  
74/490.09; 137/271, 560, 861, 884; 192/141;  
310/10, 12, 15, 20, 80, 178, 317, 319; 417/124  
See application file for complete search history.

(56) **References Cited**

**U.S. PATENT DOCUMENTS**

D291,009	S	*	7/1987	Weilow	.....	D25/120
D301,889	S	*	6/1989	Price	.....	D15/133
5,025,834	A	*	6/1991	Stoll	.....	137/560
D326,140	S	*	5/1992	Dekel	.....	D23/267
D336,345	S	*	6/1993	Fasth et al.	.....	D25/126
D363,997	S	*	11/1995	Nomura	.....	D25/122

D386,702	S	*	11/1997	Nagai et al.	.....	D25/124
D394,716	S	*	5/1998	Rinot et al.	.....	D25/124
D395,525	S	*	6/1998	Rinot et al.	.....	D25/122
D411,555	S	*	6/1999	Nagai et al.	.....	D15/199
D412,714	S	*	8/1999	Nagai et al.	.....	D15/199
D441,768	S	*	5/2001	Nagai et al.	.....	D15/7
6,239,357	B1	*	5/2001	Mabry et al.	.....	174/5 R
D467,013	S	*	12/2002	Ballard et al.	.....	D25/124
D483,443	S	*	12/2003	Forsberg	.....	D23/267
D546,979	S	*	7/2007	Ye	.....	D25/124
D557,823	S	*	12/2007	Willman	.....	D25/124
D557,825	S	*	12/2007	Willman	.....	D25/124
D567,397	S	*	4/2008	Terada et al.	.....	D25/126

\* cited by examiner

*Primary Examiner*—Sandra Snapp

*Assistant Examiner*—Patricia Palasik

(74) *Attorney, Agent, or Firm*—Carmody & Torrance LLP

(57) **CLAIM**

The ornamental design for a linear slide extrusion, as shown and described.

**DESCRIPTION**

FIG. 1 is a right side/front/top isometric view of my new design, the view being broken to indicate that the design may be of any length;

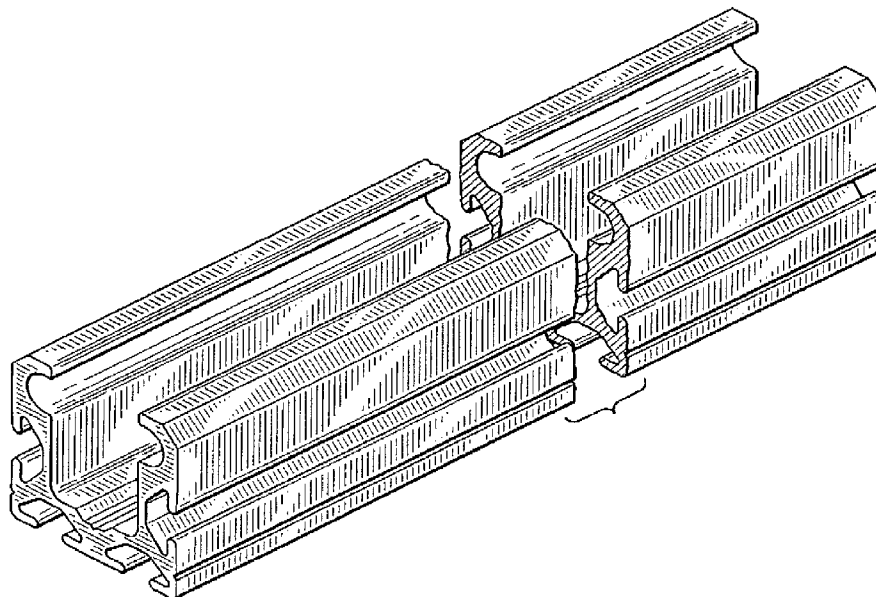
FIG. 2 is an end elevational view thereof;

FIG. 3 is a side elevational view thereof, the opposite side being identical to that shown, and the view being broken to indicate that the design may be of any length;

FIG. 4 is a top plan view thereof, the view being broken to indicate that the design may be of any length; and,

FIG. 5 is a bottom plan view thereof, the view being broken to indicate that the design may be of any length.

**1 Claim, 2 Drawing Sheets**



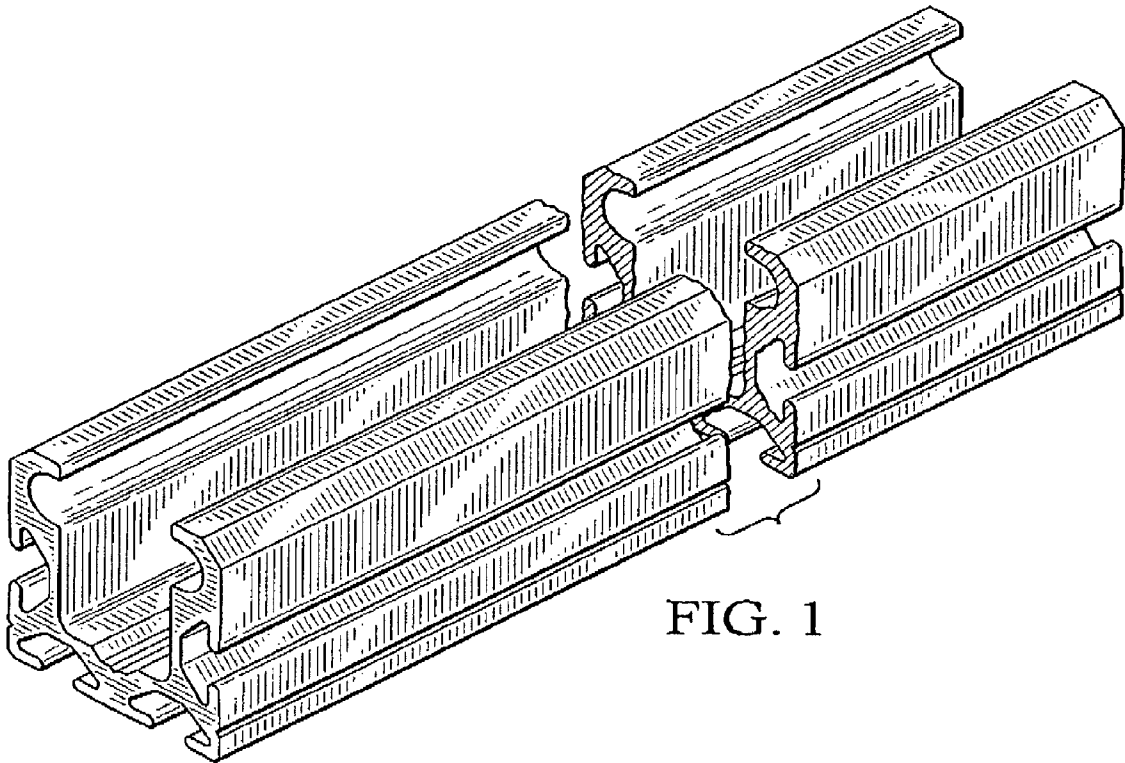


FIG. 1

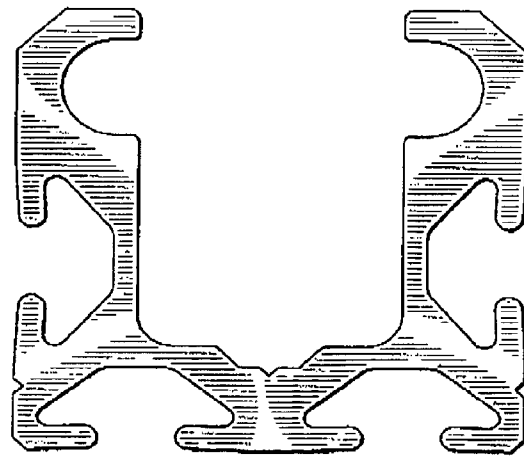


FIG. 2

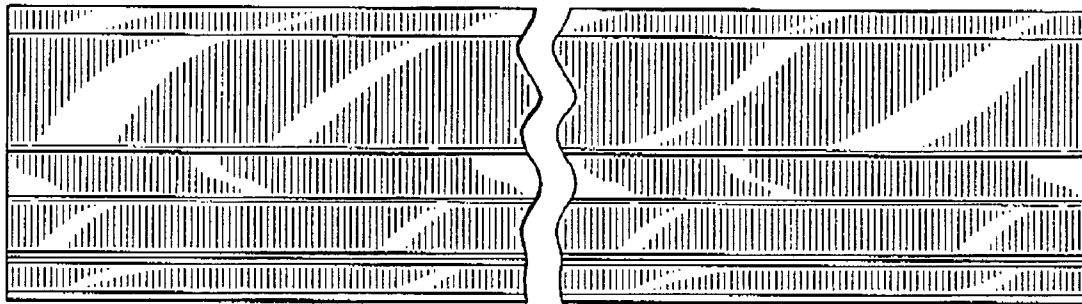


FIG. 3

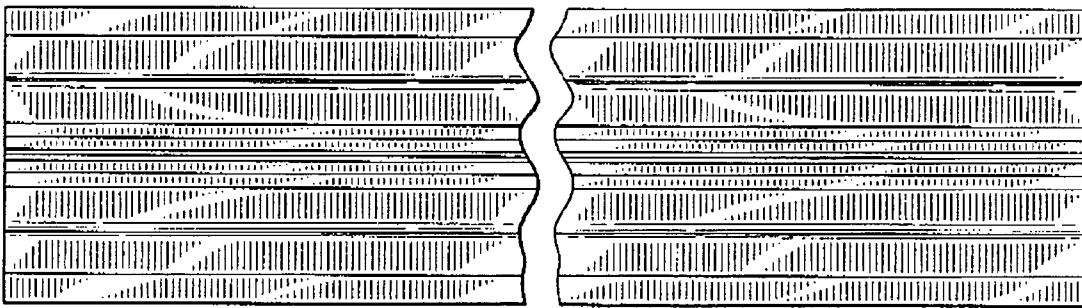


FIG. 4

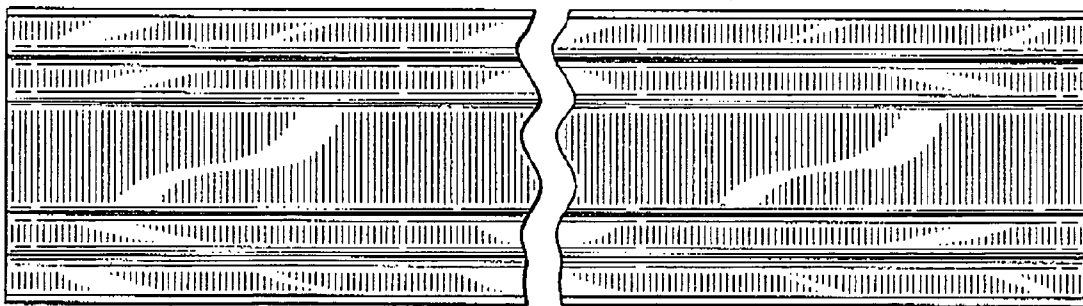


FIG. 5