



US00D587733S

(12) **United States Design Patent**  
**Niedermeyer**

(10) **Patent No.:** **US D587,733 S**

(45) **Date of Patent:** **\*\* Mar. 3, 2009**

(54) **POWERED LINEAR STAGE**

(75) Inventor: **John F. Niedermeyer**, Woodbury, CT (US)

(73) Assignee: **Tritex Corporation**, Waterbury, CT (US)

(\*\*) Term: **14 Years**

(21) Appl. No.: **29/271,854**

(22) Filed: **Jan. 29, 2007**

(51) **LOC (9) Cl.** ..... **15-09**

(52) **U.S. Cl.** ..... **D15/143**

(58) **Field of Classification Search** ..... D13/158,  
D13/162, 184; D15/1-5, 7, 9, 143, 148,  
D15/149, 199; 29/56; 60/412; 74/89.15,  
74/490.09; 192/141; 310/10, 12, 15, 20,  
310/80, 178, 317, 319

See application file for complete search history.

(56) **References Cited**

**U.S. PATENT DOCUMENTS**

D378,680	S	*	4/1997	Ikumi	.....	D15/7
D399,491	S	*	10/1998	Nagai et al.	.....	D13/158
D399,830	S	*	10/1998	Nagai et al.	.....	D13/158
D407,409	S	*	3/1999	Masuda et al.	.....	D15/5
D412,917	S	*	8/1999	Nagai et al.	.....	D15/199
D417,457	S	*	12/1999	Asahara	.....	D15/7
D420,683	S	*	2/2000	Suzuki	.....	D15/7
D456,826	S	*	5/2002	Nagai et al.	.....	D15/143
D487,902	S	*	3/2004	Nielsen et al.	.....	D15/143
6,756,707	B2	*	6/2004	Hochhalter et al.	.....	310/20
D543,221	S	*	5/2007	Nagai et al.	.....	D15/143

\* cited by examiner

*Primary Examiner*—Sandra Snapp  
*Assistant Examiner*—Patricia Palasik

(74) *Attorney, Agent, or Firm*—Carmody & Torrance LLP

(57) **CLAIM**

The ornamental design for a powered linear stage, as shown and described.

**DESCRIPTION**

FIG. 1 is a right side/rear/top isometric view of my new design, the view being broken to indicate that the design may be of any length;

FIG. 2 is a right side/front/top isometric view thereof, the view being broken to indicate that the design may be of any length;

FIG. 3 is a rear elevational view thereof;

FIG. 4 is a front elevational view thereof;

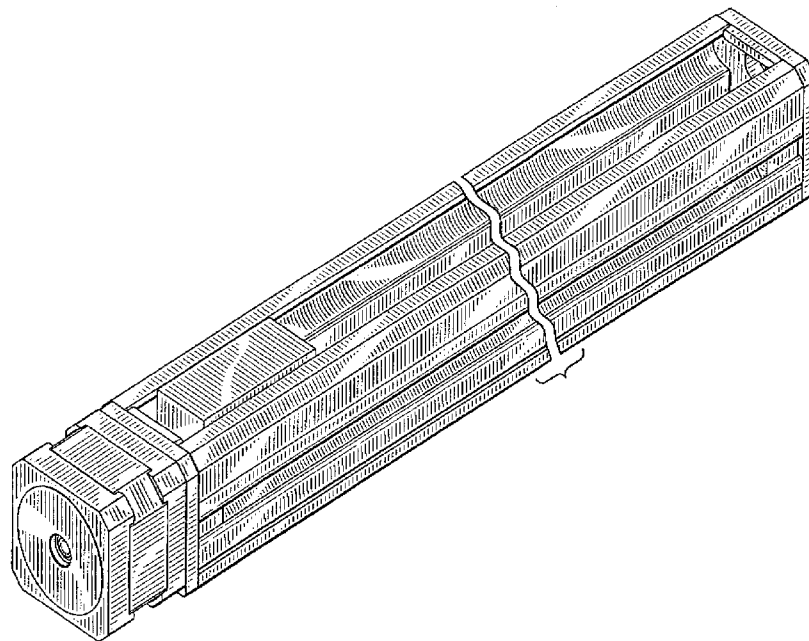
FIG. 5 is a top plan view thereof, the view being broken to indicate that the design may be of any length;

FIG. 6 is a bottom plan view thereof, the view being broken to indicate that the design may be of any length; and,

FIG. 7 is a left side elevational view thereof, the view being broken to indicate that the design may be of any length, the right side being identical to that shown except that the elements thereof are reversed.

The broken line showing of the threaded screw is included for the purposes of illustrating portions of the threaded screw and forms no part of the claimed design.

**1 Claim, 5 Drawing Sheets**



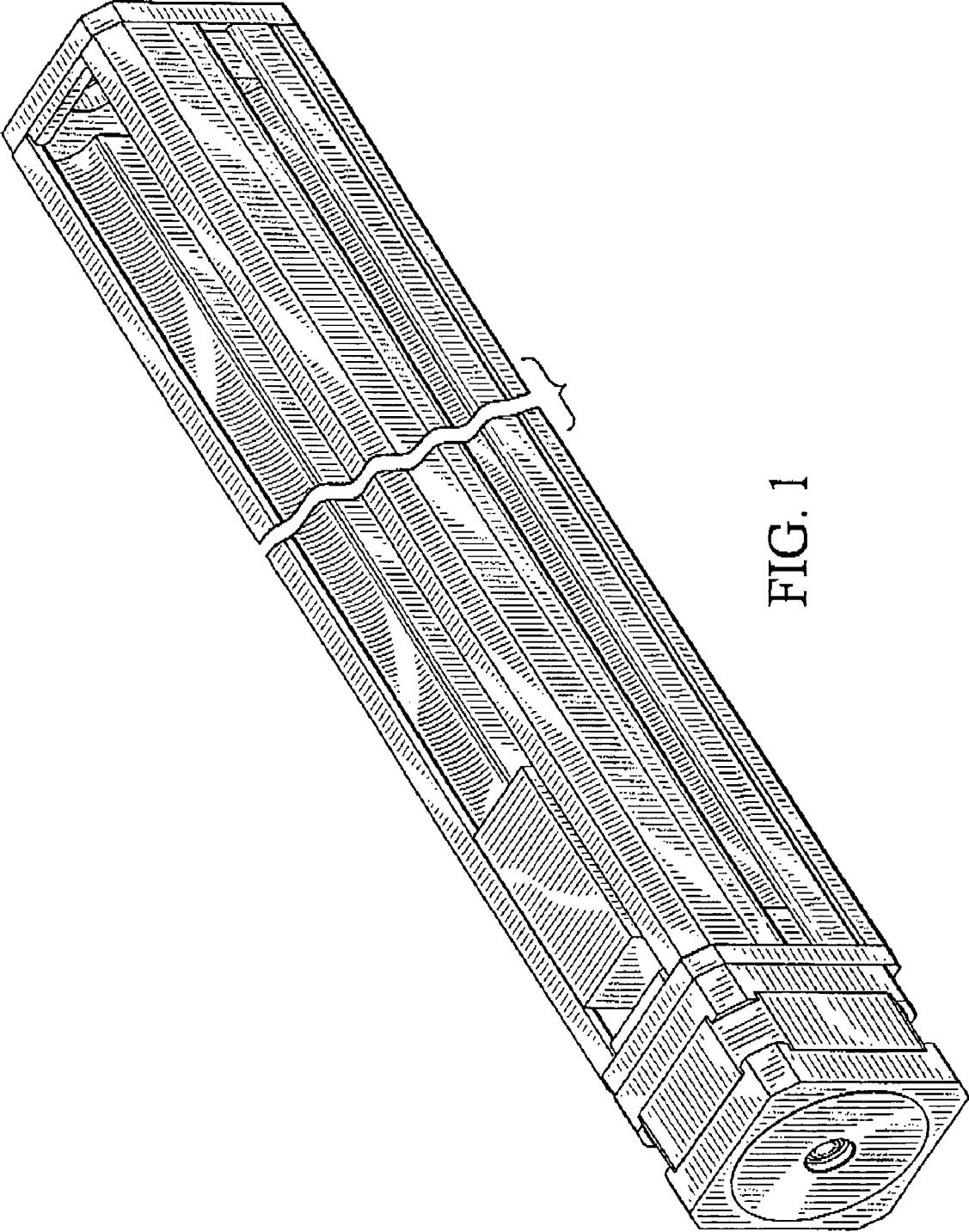
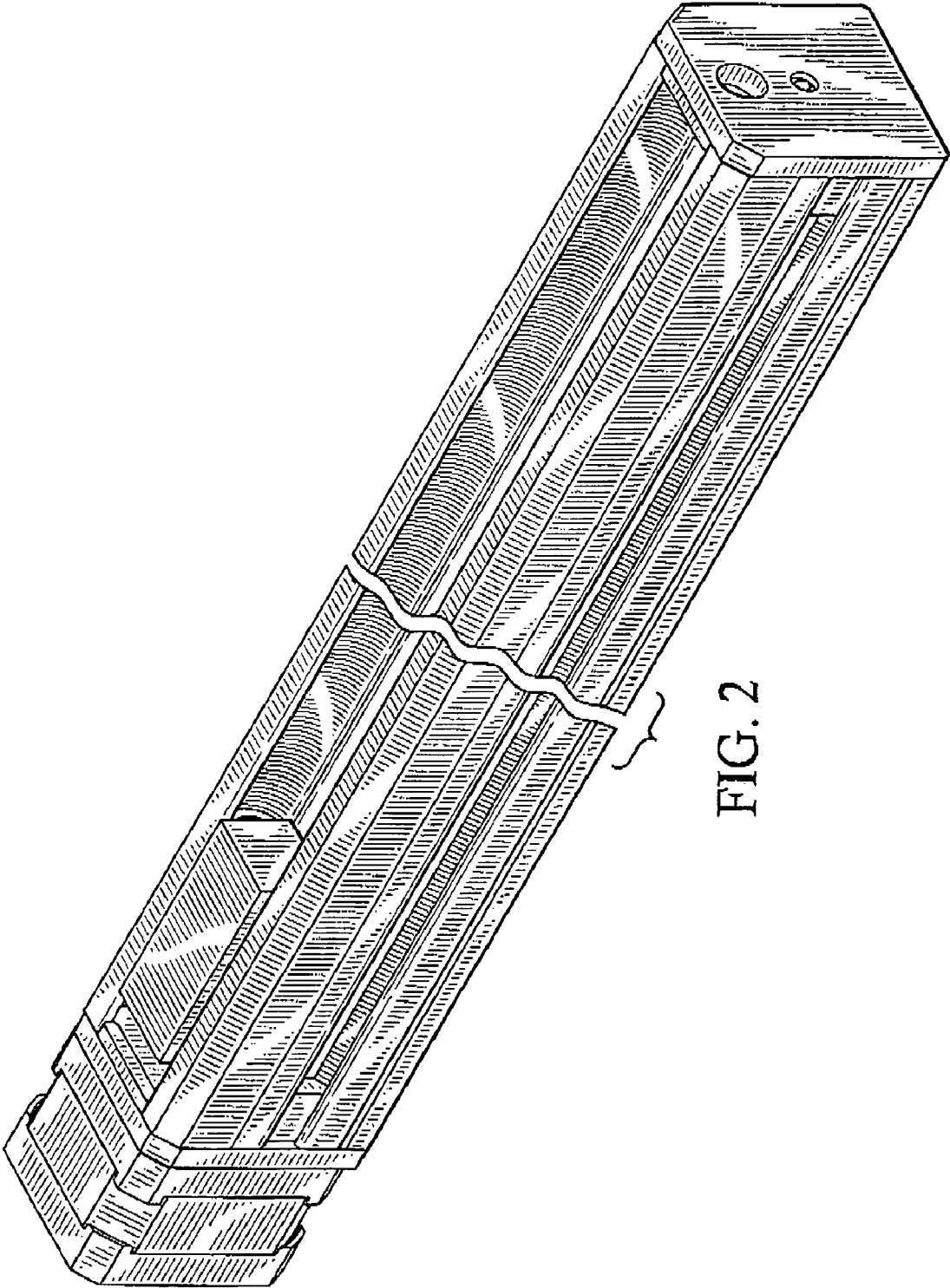


FIG. 1



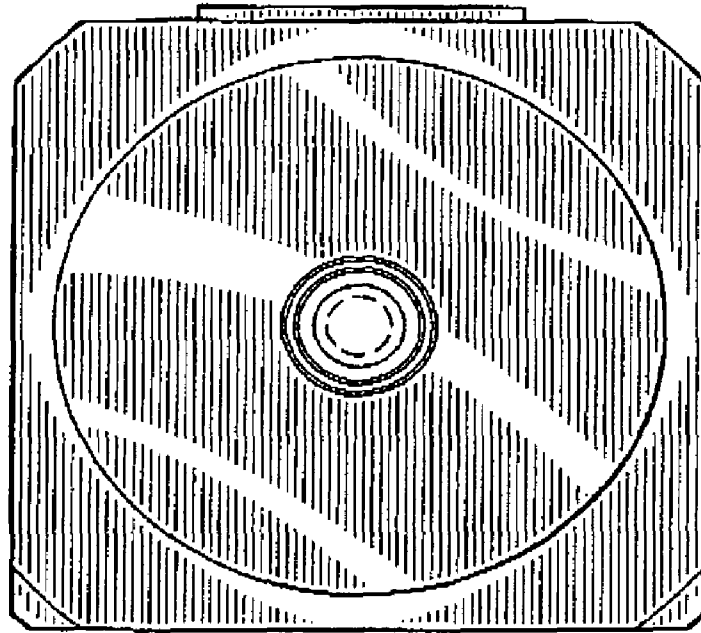


FIG. 3

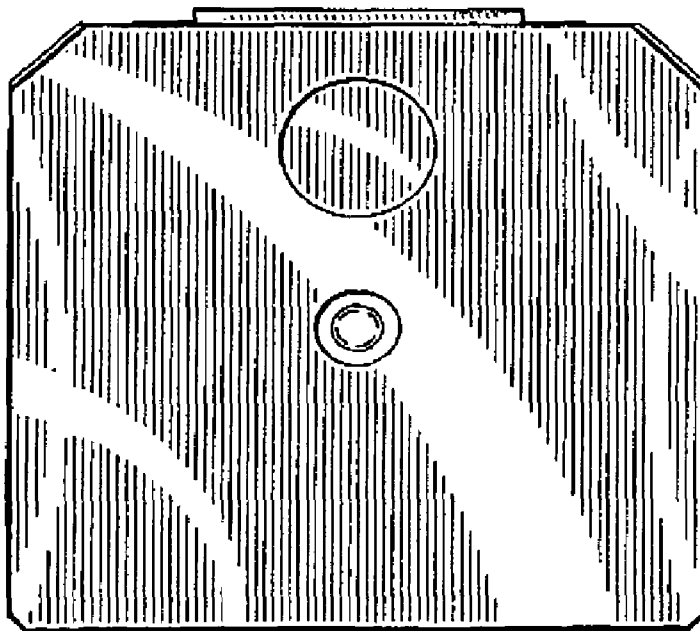


FIG. 4

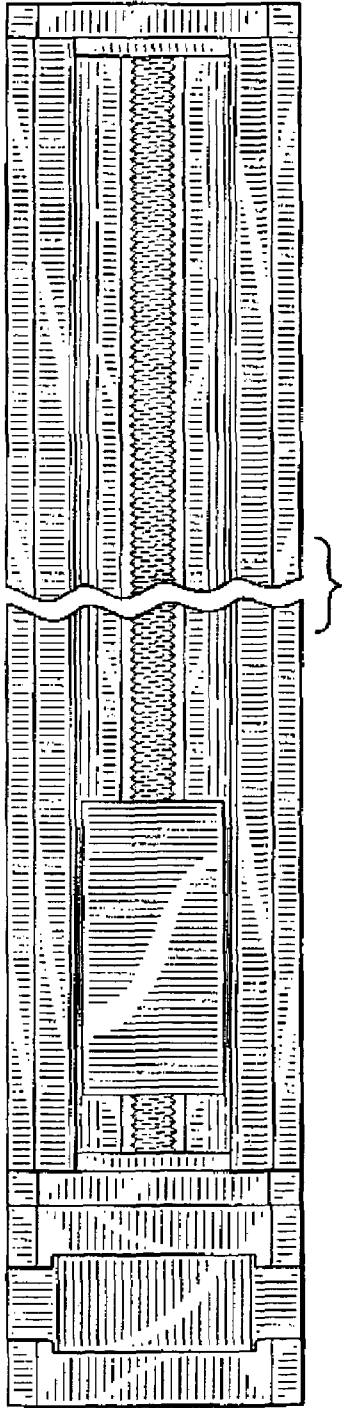


FIG. 5

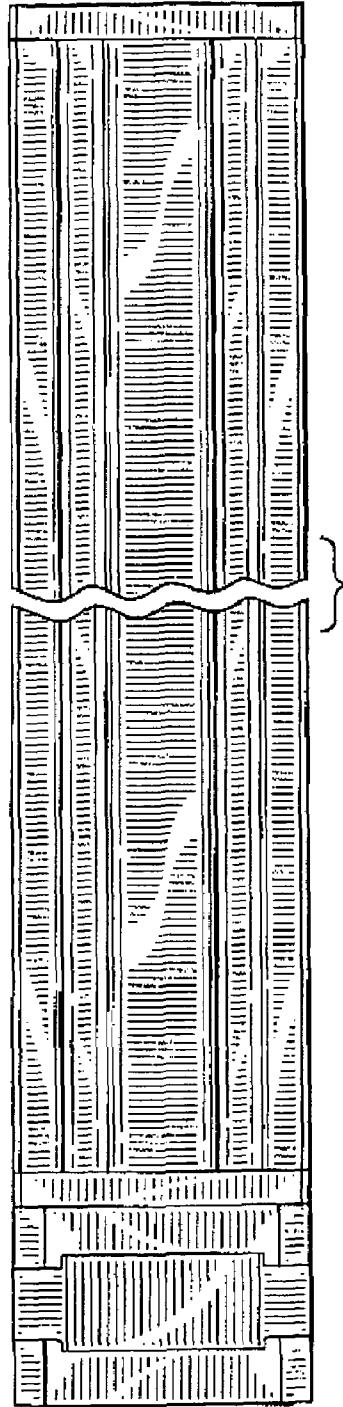


FIG. 6

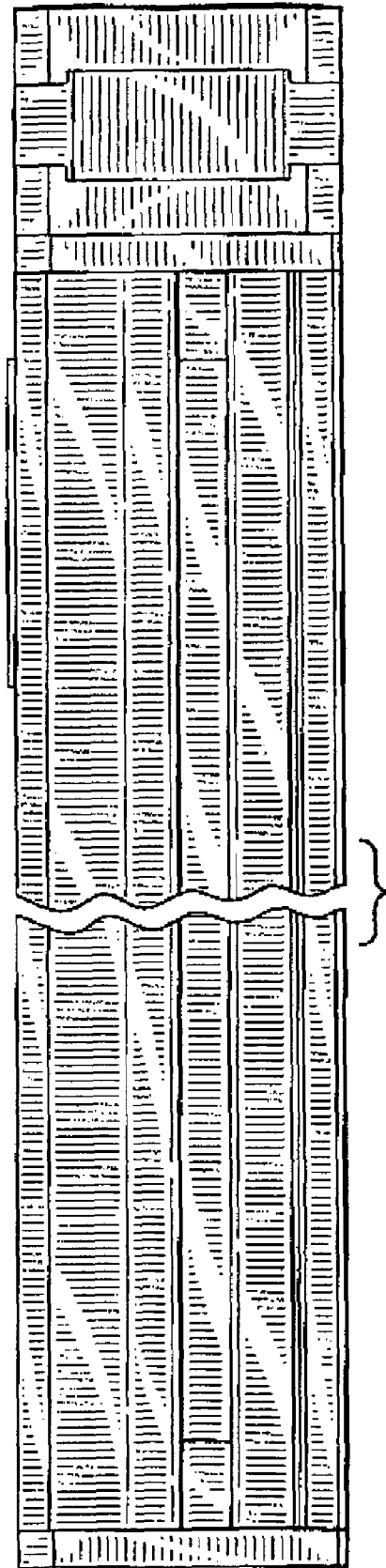


FIG. 7