



US00D629821S

(12) **United States Design Patent**  
**Jump**

(10) **Patent No.:** **US D629,821 S**

(45) **Date of Patent:** **\*\* Dec. 28, 2010**

(54) **CAN STACK LINEAR ACTUATOR**

(75) Inventor: **Ryan Jump**, East Hampton, CT (US)

(73) Assignee: **Tritex Corporation**, Waterbury, CT (US)

(\*\*) Term: **14 Years**

(21) Appl. No.: **29/342,177**

(22) Filed: **Aug. 20, 2009**

(51) **LOC (9) Cl.** ..... **15-09**

(52) **U.S. Cl.** ..... **D15/143**

(58) **Field of Classification Search** ..... D13/158,  
D13/162, 184; D15/5, 7, 9, 143, 148, 199;  
74/89.15, 411.5, 490.09; 297/14, 325, 327;  
310/10, 12, 15, 20, 80, 300

See application file for complete search history.

(56) **References Cited**

**U.S. PATENT DOCUMENTS**

D239,319	S	*	3/1976	Matousek	.....	D15/148
4,751,411	A	*	6/1988	Fukaya et al.	.....	310/49.18
6,603,229	B1	*	8/2003	Toye, IV	.....	310/90
D479,541	S	*	9/2003	Lannoch	.....	D15/148
6,806,597	B2	*	10/2004	Kondo	.....	310/49.01
6,932,319	B2		8/2005	Kowalski		

7,682,045	B2	*	3/2010	Pfister	.....	362/273
2004/0201290	A1	*	10/2004	Razzaghi	.....	310/15
2005/0218727	A1	*	10/2005	Gandel et al.	.....	310/12
2010/0060091	A1	*	3/2010	Nordgren	.....	310/80
2010/0148605	A1	*	6/2010	Moore et al.	.....	310/86

\* cited by examiner

*Primary Examiner*—Patricia Palasik

(74) *Attorney, Agent, or Firm*—Carmody & Torrance LLP

(57) **CLAIM**

The ornamental design for a can stack linear actuator, as shown and described.

**DESCRIPTION**

FIG. 1 is a first perspective view of a can stack linear actuator showing my new design;

FIG. 2 is a right side elevational view thereof;

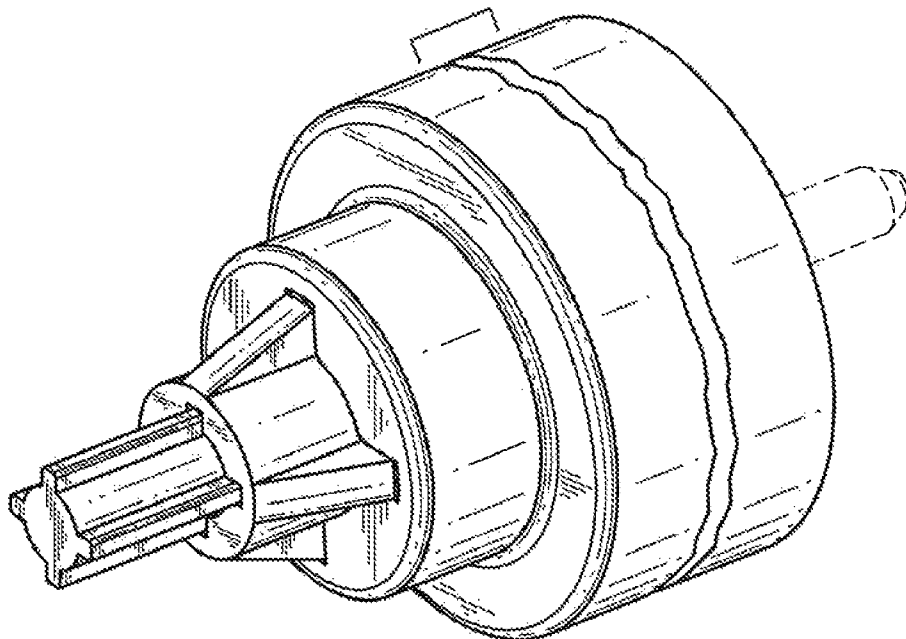
FIG. 3 is a top plan view thereof; and,

FIG. 4 is a bottom plan view thereof.

The can stack linear actuator is shown broken away to indicate that no particular length is claimed.

The dotted lines are intended to show features that are environmental only and form no part of the claimed design.

**1 Claim, 2 Drawing Sheets**



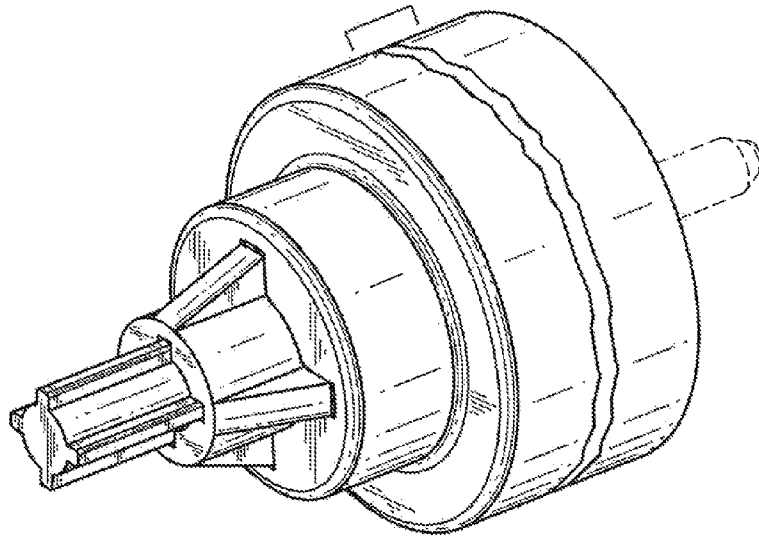


FIG. 1

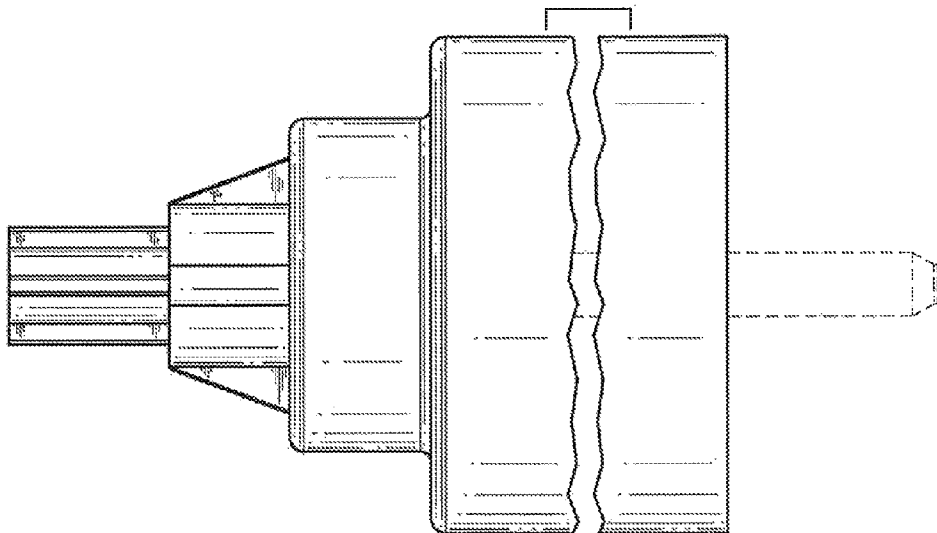


FIG. 2

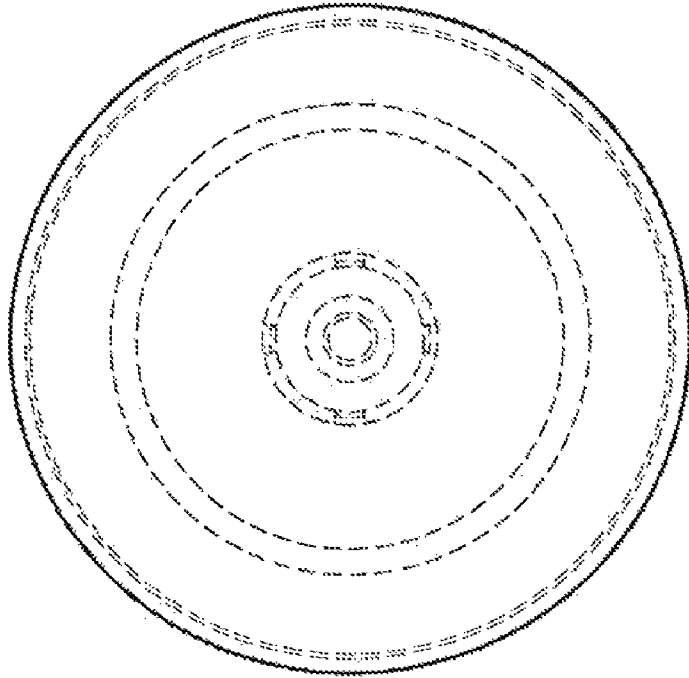


FIG. 4

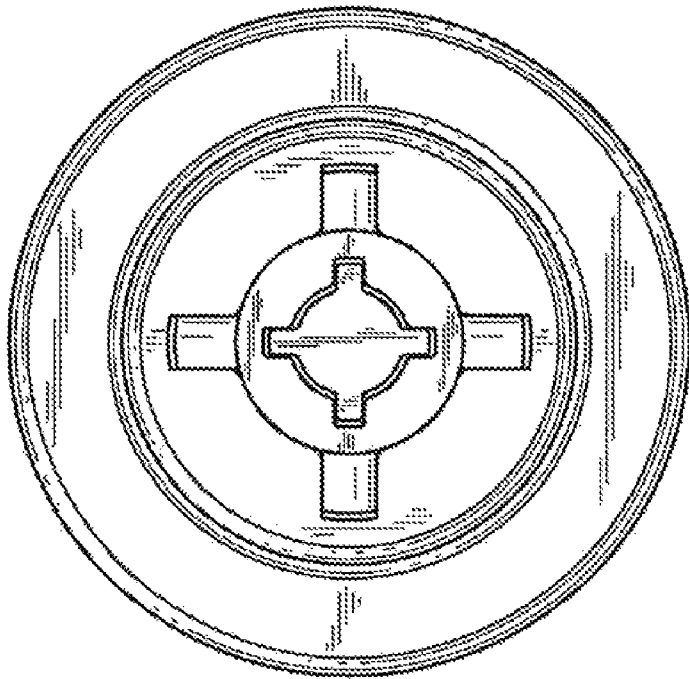


FIG. 3