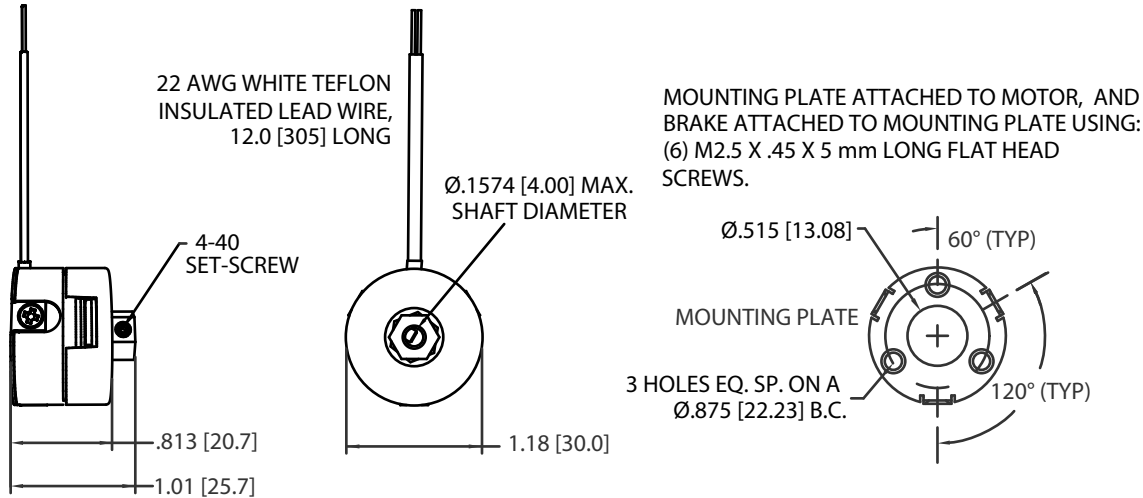


Power Off Brake



Specification	Units	Part/Model Number			
		12V	19V	24V	30V
Applied Voltage	VDC	12	19	24	30
Static Holding Torque	lb-in	1	1	1	1
	Nm	0.113	0.113	0.113	0.113
Current	Amps (A)	0.33	0.21	0.17	0.13
Resistance	Ohms	36	90	134	219
Hub and Disc Inertia	oz-in-sec ²	4.0 x 10 ⁻⁵	4.0 x 10 ⁻⁵	4.0 x 10 ⁻⁵	4.0 x 10 ⁻⁵
	kg-m ²	2.82E-2	2.82E-2	2.82E-2	2.82E-2
Weight (Mass)	oz	2.2	2.2	2.2	2.2
	g	62.4	62.4	62.4	62.4

Standard Features

- Factory-Set Precision Air Gap
- Rigid Molded Friction Disc
- High Rate Compression Spring
- MIL-W-22759/34D Lead Wires
- Hexagonal Drive Nut with Set Screw
- Low Profile Mounting Plate

Notes:

¹ B30A is a power off brake intended to decelerate and hold a load when power is deactivated.

² All values specified at 25°C ambient temperature.

This document is for informational purposes only and should not be considered as a binding description of the products or their performance in all applications. The performance data on this page depicts typical performance under controlled laboratory conditions. Actual performance will vary depending on the operating environment and application. AMETEK reserves the right to revise its products without notification. The above characteristics represent standard products. For products designed to meet specific applications, contact PITTMAN Motor Sales Department.