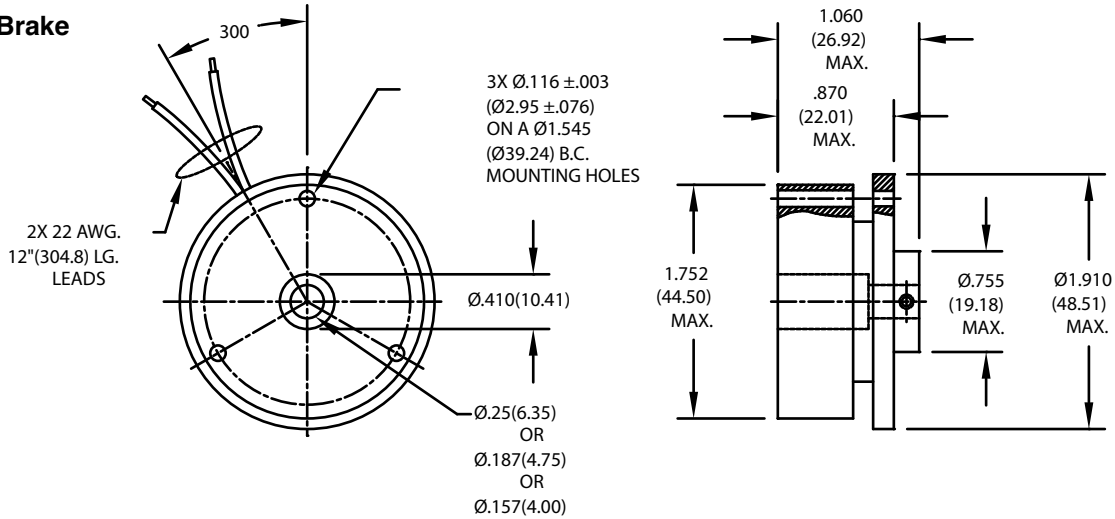


Power Off Brake



| Specification         | Units                  | Part/Model Number     |                       |
|-----------------------|------------------------|-----------------------|-----------------------|
|                       |                        | 12V                   | 24V                   |
| Applied Voltage       | VDC                    | 12                    | 24                    |
| Static Holding Torque | lb-in                  | 3                     | 3                     |
|                       | Nm                     | 0.339                 | 0.339                 |
| Current               | Amps (A)               | 0.353                 | 0.190                 |
| Resistance            | Ohms                   | 34                    | 132                   |
| Hub and Disc Inertia  | oz-in-sec <sup>2</sup> | 70 x 10 <sup>-5</sup> | 70 x 10 <sup>-5</sup> |
|                       | kg-m <sup>2</sup>      | 4.94E-2               | 4.94E-2               |
| Weight (Mass)         | oz                     | 3                     | 3                     |
|                       | g                      | 85                    | 85                    |

**Standard Features**

- Factory-Set Precision Air Gap
- Multiple Compression Springs
- Rigid Molded Friction Disc
- Square Drive Nut with Set Screw

Notes:

<sup>1</sup> B49A is a power off brake intended to decelerate and hold a load when power is deactivated.

<sup>2</sup> All values specified at 25°C ambient temperature.

This document is for informational purposes only and should not be considered as a binding description of the products or their performance in all applications. The performance data on this page depicts typical performance under controlled laboratory conditions. Actual performance will vary depending on the operating environment and application. AMETEK reserves the right to revise its products without notification. The above characteristics represent standard products. For products designed to meet specific applications, contact PITTMAN Motor Sales Department.