



G35A Series

The G35A is an economical 35 mm offset spur gearbox suitable for lower torque applications. The wide range of sintered steel gears combinations especially complement brushed motors when speed reduction is required. Also available in high torque or wide faced gears for increased output loads.

Compatible Motors: DC026C, DC030B, DC030C, EC033A

■ Benefits

- Maximum Load torque up to 0.7 Nm in the standard model
- Load increased to 1.13 Nm in the high torque and up to 1.24 in wide face versions
- Standard bronze bearings

■ Optional Assembly

- Special lubrication for extreme conditions
- Ball bearings for high radial loads
- Delrin gears for noise reduction

■ Characteristics

Gear Data	Units	G35A 6.3:1	G35A 9.9:1	G35A 19.5:1	G35A 30.9:1	G35A 60.5:1	G35A 95.9:1
Maximum Load	Nm	0.706					
	oz-in	100					
Weight (Mass)	g	66.6	70.6	70.6	74.3	74.3	78.2
	oz	2.4	2.5	2.5	2.6	2.6	2.76
Length (L)	mm	24.6					
	inches	0.97					
Stages	–	1					
Ratio	–	6.3:1	9.9:1	19.5:1	30.9:1	60.5:1	95.9:1
Efficiency	–	0.81	0.73	0.73	0.66	0.66	0.57
Shaft Rotation	–	CW	CCW	CCW	CW	CW	CCW

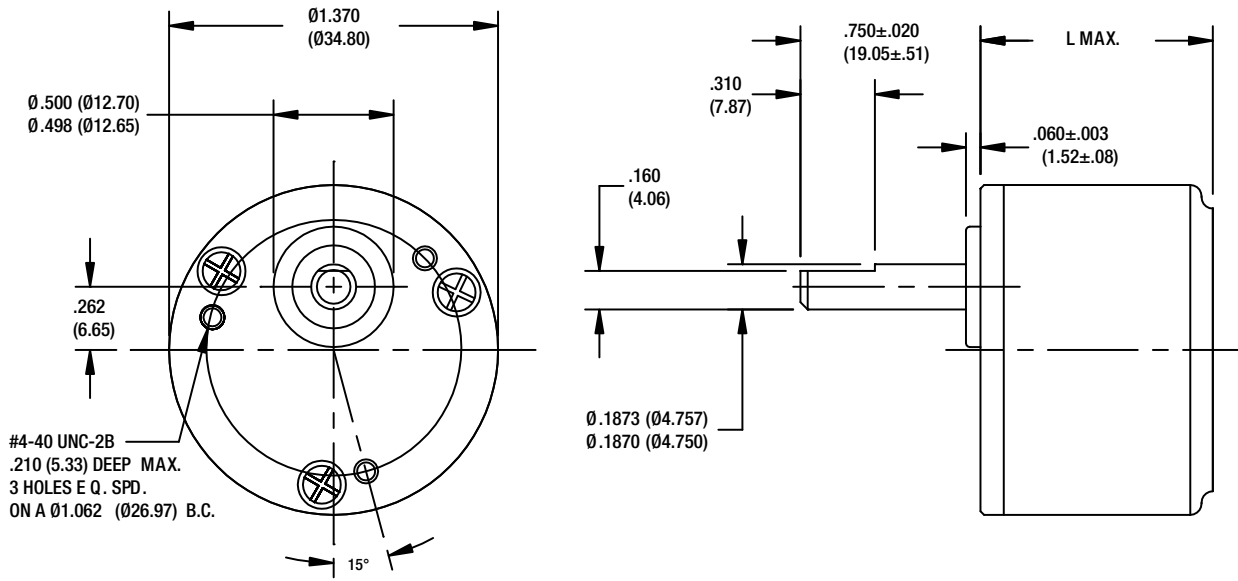
Gear Data	Units	G35A 187.7:1	G35A 297.5:1	G35A 581.8:1	G35A 922.3:1	G35A 1803.6:1
Maximum Load	Nm	0.706				
	oz-in	100				
Weight (Mass)	g	78.2	88.2	88.2	92.1	92.1
	oz	2.76	3.11	3.11	3.25	3.25
Length (L)	mm	24.6	29.6	29.6	29.6	29.6
	inches	0.968	1.164	1.164	1.164	1.164
Stages	–	1	2	2	2	2
Ratio	–	187.7:1	297.5:1	581.8:1	922.3:1	1803.6:1
Efficiency	–	0.59	0.53	0.53	0.48	0.48
Shaft Rotation	–	CCW	CW	CW	CCW	CCW

High Torque Characteristics

Gear Data	Units	G35A-HT 9.9:1	G35A-HT 19.5:1	G35A-HT 30.9:1	G35A-HT 60.5:1	G35A-HT 95.9:1
Maximum Load	Nm	1.130				
	oz-in	160				
Weight (Mass)	g	70.6	70.6	74.3	74.3	78.2
	oz	2.49	2.49	2.62	2.62	2.76
Length (L)	mm	24.6				
	inches	0.968				
Stages	–	1				
Ratio	–	9.9:1	19.5:1	30.9:1	60.5:1	95.9:1
Efficiency	–	0.73	0.73	0.66	0.66	0.59
Shaft Rotation	–	CCW	CCW	CW	CW	CCW
Gear Data	Units	G35A-HT 187.7:1	G35A-HT 297.5:1	G35A-HT 581.8:1	G35A-HT 922.3:1	G35A-HT 1803.6:1
Maximum Load	Nm	1.130				
	oz-in	160				
Weight (Mass)	g	78.2	88.2	88.2	92.1	92.1
	oz	2.76	3.11	3.11	3.25	3.25
Length (L)	mm	24.6	29.6	29.6	29.6	29.6
	inches	0.968	1.164	1.164	1.164	1.164
Stages	–	1	2	2	2	2
Ratio	–	187.7:1	297.5:1	581.8:1	922.3:1	1803.6:1
Efficiency	–	0.59	0.53	0.53	0.48	0.48
Shaft Rotation	–	CCW	CCW	CW	CW	CCW

Wide Face Characteristics

Gear Data	Units	G35A-WF 9.9:1	G35A-WF 19.5:1	G35A-WF 30.9:1	G35A-WF 60.5:1	G35A-WF 95.9:1
Maximum Load	Nm	1.236				
	oz-in	175				
Weight (Mass)	g	70.6	70.6	74.3	74.3	78.2
	oz	2.49	2.49	2.62	2.62	2.76
Length (L)	mm	24.6				
	inches	0.968				
Stages	–	1				
Ratio	–	9.9:1	19.5:1	30.9:1	60.5:1	95.9:1
Efficiency	–	0.73	0.73	0.66	0.66	0.59
Shaft Rotation	–	CCW	CCW	CW	CW	CCW
Gear Data	Units	G35A-WF 187.7:1	G35A-WF 297.5:1	G35A-WF 581.8:1	G35A-WF 922.3:1	G35A-WF 1803.6:1
Maximum Load	Nm	1.236				
	oz-in	175				
Weight (Mass)	g	78.2	88.2	88.2	92.1	92.1
	oz	2.76	3.11	3.11	3.25	3.25
Length (L)	mm	24.6	29.6	29.6	29.6	29.6
	inches	0.968	1.164	1.164	1.164	1.164
Stages	–	1	2	2	2	2
Ratio	–	187.7:1	297.5:1	581.8:1	922.3:1	1803.6:1
Efficiency	–	0.59	0.53	0.53	0.48	0.48
Shaft Rotation	–	CCW	CW	CW	CCW	CCW



■ Combined Length

Compatible Motors / Length (mm)
 Standard, High Torque, Wide Face

Stage	1	2
DC026C-1	74.4	79.2
DC026C-2	77.6	82.4
DC026C-3	83.9	88.7

Compatible Motors / Length (mm)
 Standard, High Torque, Wide Face

Stage	1	2
DC030C-1	82.4	87.2
DC030C-2	94.4	99.2
DC030C-3	106.4	111.2

Compatible Motors / Length (mm)
 Standard, High Torque, Wide Face

Stage	1	2
DC030B-1	75.6	80.4
DC030B-2	78.8	83.6
DC030B-3	85.2	90.0

Compatible Motors / Length (mm)
 Standard, High Torque, Wide Face

Stage	1	2
EC033A-1	63.5	68.5
EC033A-2	75.4	80.4
EC033A-3	88.1	93.1