



G40A Series

The G40A is a 40 mm planetary gearbox suitable for servo applications where DC Servo brush or BLDC motor technology is specified.

Compatible Motors: DC040B, DC054B, EC057C, ES030A, ES040A, ES050A

■ Benefits

- Sintered metal gears for high torque capacity
- Sintered metal output bearing

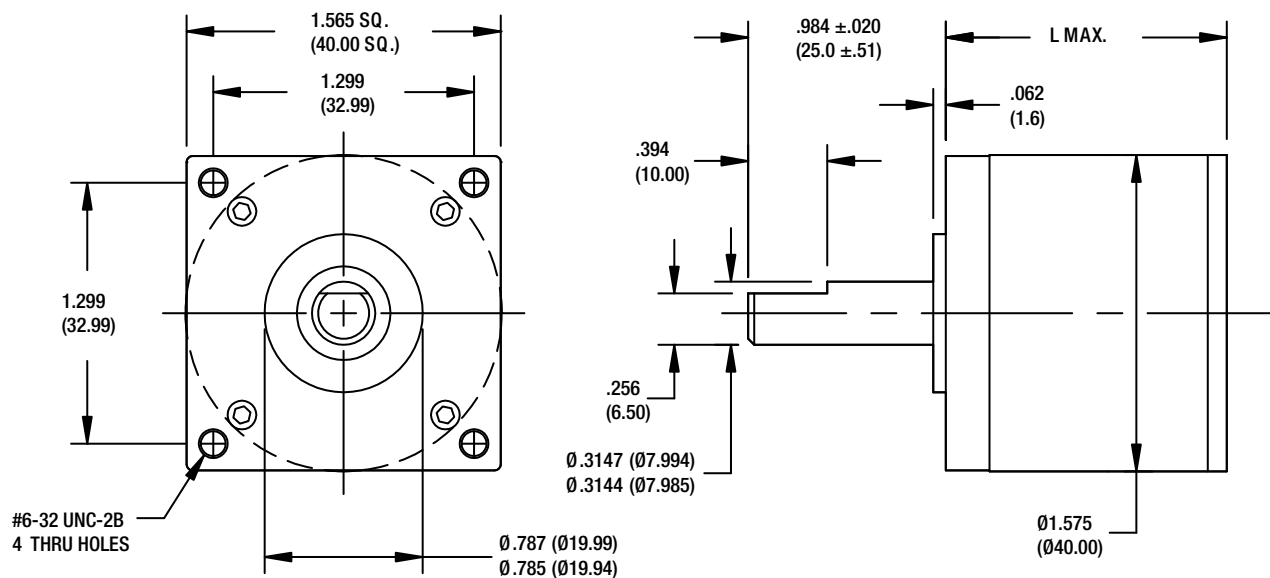
■ Optional Assemblies

- Alternate mounting and shaft configurations
- Output ball bearing for high radial loads
- Additional ratios

■ Characteristics

Gear Data	Units	G40A 4:1	G40A 17.3:1	G40A 24:1	G40A 75.1:1	G40A 144:1	G40A 325.5:1	G40A 864:1
Maximum Load	Nm	14.12						
	oz-in	2000						
Weight (Mass)	g	255.1	311.8	311.8	368.5	368.5	425.2	425.2
	oz	9	11	11	13	13	15	15
Length (L)	mm	35.6	43.2	43.2	50.8	50.8	58.4	58.4
	inches	1.400	1.700	1.700	2.000	2.000	2.300	2.300
Stages	–							
Ratio	–	4/1	52/3	24/1	676/9	144/1	8768/27	864/1
Efficiency	–	0.90	0.81	0.81	0.73	0.73	0.65	0.65
Shaft Rotation	–	CW						

Dimensional Drawings



■ Combined Length

Compatible Motors / Length (mm)				
Stage	1	2	3	4
DC040B-1	82.03	89.63	97.23	104.83
DC040B-2	91.56	99.16	106.76	114.36
DC040B-3	96.64	104.24	111.84	119.44
DC040B-4	104.26	111.86	119.46	127.06
DC040B-5	111.15	118.75	126.35	133.95
DC040B-6	120.77	128.37	135.97	143.57

Stage	1	2	3	4
DC054B-1	110.61	118.21	125.81	133.41
DC054B-2	116.96	124.56	132.16	139.76
DC054B-3	129.66	137.26	144.86	152.46
DC054B-4	139.20	146.80	154.40	162.00
DC054B-5	148.70	156.30	163.90	171.50
DC054B-6	161.40	169.00	176.60	184.20
DC054B-7	180.50	188.10	195.70	203.30

Compatible Motors / Length (mm)				
Stage	1	2	3	4
EC057C-1	74.5	82.1	89.7	97.3
EC057C-2	85.9	93.5	101.1	108.7
EC057C-3	98.6	106.2	113.8	121.4
EC057C-4	111.3	118.9	126.5	134.1

Stage	1	2	3	4
ES030A-1	94.58	102.18	109.78	117.38
ES030A-2	104.71	112.34	119.94	127.54

Stage	1	2	3	4
ES040A-1	103.04	110.64	118.24	125.84
ES040A-2	110.66	118.26	125.86	133.46
ES040A-3	118.28	125.88	133.48	141.08

Stage	1	2	3	4
ES050A-1	115.99	123.59	131.19	138.79
ES050A-2	128.69	136.29	143.89	151.49
ES050A-3	141.39	148.99	156.59	164.19