



PLG42S Series

The PLG42S is a 42 mm planetary gearbox suitable for servo applications where DC Servo brush or BLDC motor technology is specified. The PLG42S provides excellent efficiency in a compact and industry compatible output configuration.

Compatible Motors: DC040B, DC054B, EC042B, EC044A, EC057C, ES040A, ES050A

■ Benefits

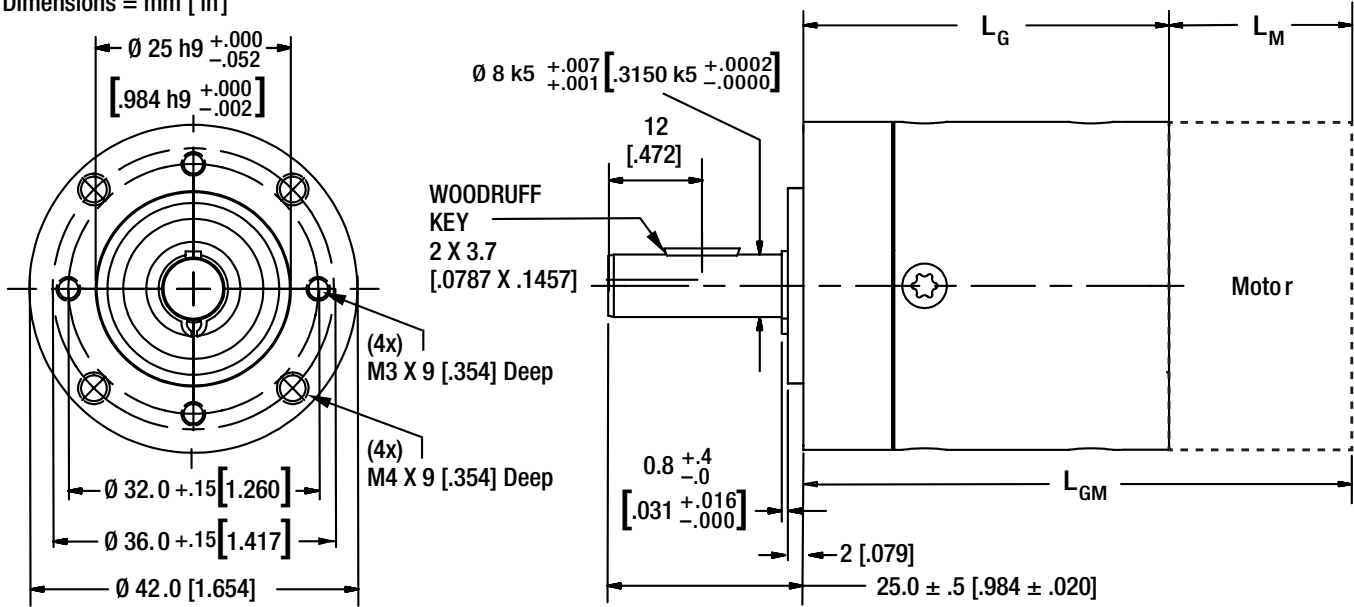
- Maximum Load torque up to 14 Nm
- All steel gearing for high torque capacity
- Dual ball bearings on output shaft
- High efficiency

■ Characteristics

Gear Data	Units	PLG42S 4:1	PLG42S 8:1	PLG42S 16:1	PLG42S 25:1	PLG42S 32:1	PLG42S 50:1	PLG42S 64:1
Maximum Load	Nm	3.5	3.5	6	6	6	6	6
	oz-in	496	496	850	850	850	850	850
Weight (Mass)	g	270	270	370	370	370	370	370
	oz	9.52	9.52	13.1	13.1	13.1	13.1	13.1
Length (L)	mm	47.6	47.6	59.4	59.4	59.4	59.4	59.4
	inches	1.87	1.87	2.34	2.34	2.34	2.34	2.34
Stages	–	1	1	2	2	2	2	2
Ratio	–	4/1	8/1	16/1	25/1	32/1	50/1	64/1
Efficiency	–	0.90	0.90	0.81	0.81	0.81	0.73	0.73
Shaft Rotation	–	CW						

Gear Data	Units	PLG42S 100:1	PLG42S 128:1	PLG42S 156:1	PLG42S 200:1	PLG42S 200:1	PLG42S 200:1	PLG42S 200:1
Maximum Load	Nm	14						
	oz-in	1983						
Weight (Mass)	g	880						
	oz	31.0						
Length (L)	mm	71.2						
	inches	2.80						
Stages	–	3						
Ratio	–	00/1	128/1	156.25/1	200/1	256/1	400/1	512/1
Efficiency	–	0.73						
Shaft Rotation	–	CW						

Dimensions = mm [in]



■ Combined Length

Compatible Motors / Length (mm)			
Stage	1	2	3
DC040B-1	94.0	105.8	117.6
DC040B-2	103.6	115.4	127.2
DC040B-3	108.6	120.4	132.2
DC040B-4	116.3	128.1	139.9
DC040B-5	123.2	135.0	146.8
DC040B-6	132.8	144.6	156.4

Stage	1	2	3
DC054B-1	122.6	134.4	146.2
DC054B-2	129.0	140.8	152.6
DC054B-3	141.7	153.5	165.3
DC054B-4	151.2	163.0	174.8
DC054B-5	160.7	172.5	184.3
DC054B-6	173.4	185.2	197.0
DC054B-7	192.5	204.3	216.1

Compatible Motors / Length (mm)			
Stage	1	2	3
EC042B-1	99.8	111.6	123.4
EC042B-2	119.8	131.6	143.4
EC042B-3	139.8	151.6	163.4

Stage	1	2	3
EC044A-1	100.3	112.1	123.9
EC044A-2	113.0	124.8	136.6
EC044A-3	125.7	137.5	149.3

Stage	1	2	3
EC057C-1	86.5	98.3	110.1
EC057C-2	97.9	109.7	121.5
EC057C-3	110.6	122.4	134.2
EC057C-4	123.3	135.1	146.9

Stage	1	2	3
ES040A-1	115.0	126.8	138.6
ES040A-2	122.7	134.5	146.3
ES040A-3	130.3	142.1	153.9

Stage	1	2	3
ES050A-1	128.0	139.8	151.6
ES050A-2	140.7	152.5	164.3
ES050A-3	153.4	165.2	177.0