

CANopen Quick Start Guide

EC042B IDEA[®] Motor Series



Components	
Name	Part Number
I/O Cable	56-1352
Power Cable	56-1348
CAN Cable	84-152
miControl Stick	52-870
Motor/Drive	EC042B-x0MP-93x

Install the Software on your Windows-based PC.



Operating Motor/Drive

1. Plug miControl miCAN-STICK2 to computer. Plug CAN Cable to Motor. Plug Power Cable 56-1348 into the motor and connect to a power supply. See Figure 1.

2. Start mPLC . The following message show a good connection
 OK: mPLC was initialized
 OK: CAN-USB Interface was initialized
 See Figure 2.

3. Click on the configuration icon.



4. Under the serial port ensure baudrate is at 9600. See Figure 3.

Under the Python Script icon, scripts can be open and ran.

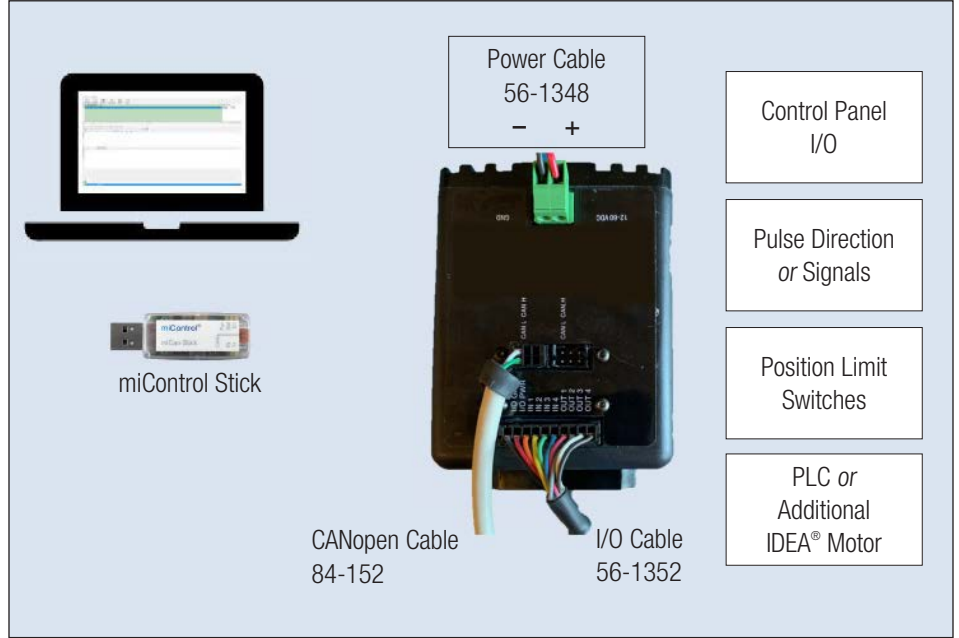


Figure 1.

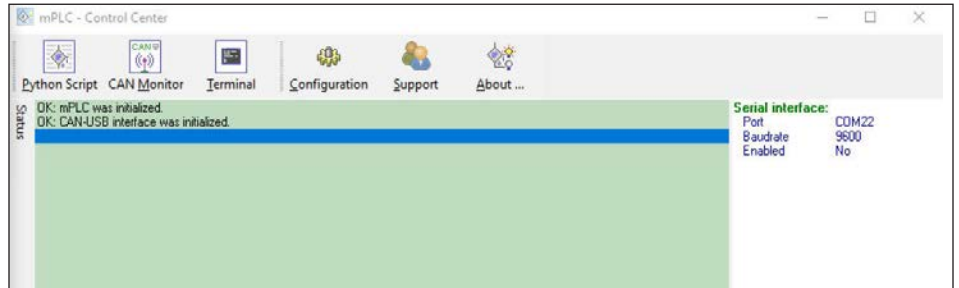


Figure 2.

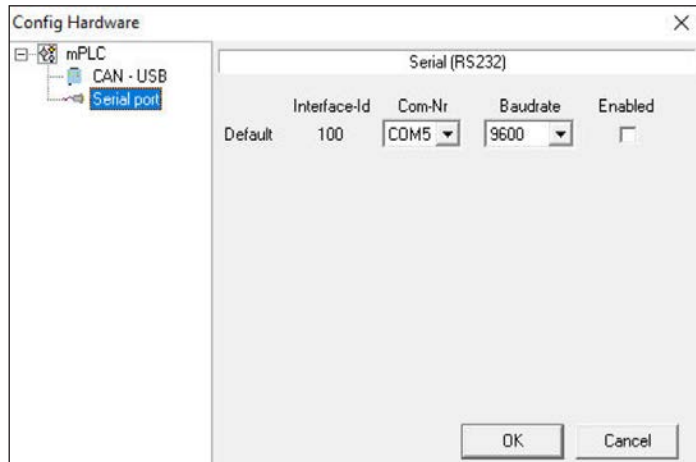


Figure 3.